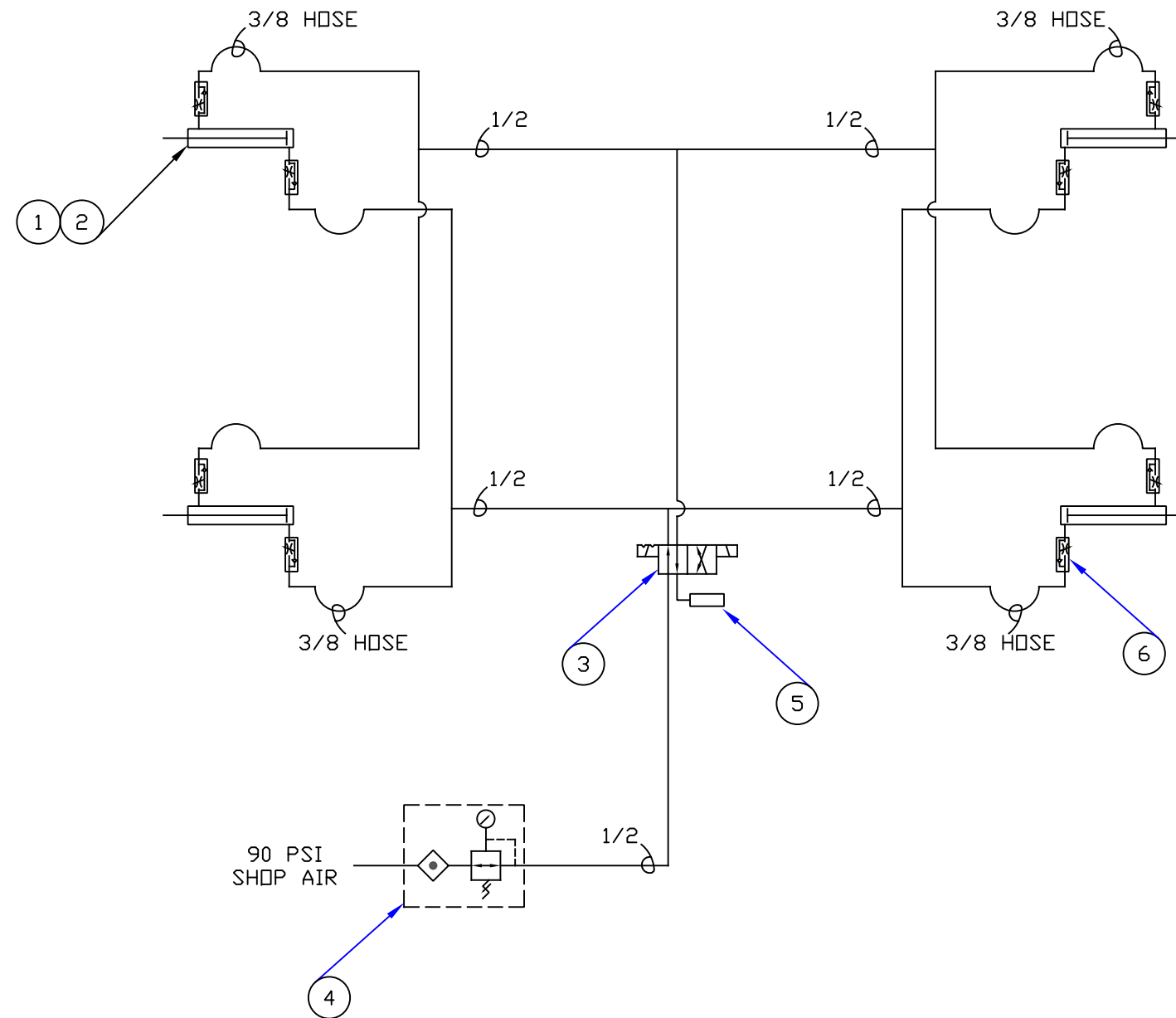


MATERIALS LIST

ITEM	QTY.	DESCRIPTION
1	4	CYLINDER, HYDROLINE A5A-3.25X2-H-1-2-N-N-N-1-1 CUSHION ROD END
2	4	ROD CLEVIS C134-08 W/ C/9004-3 PIN
3	1	CONTRDL VALVE, NUMATICS 553SS431K-046T30 3/8" NPT
4	1	FILTER REG. NUMATICS C30D-04ACGH 1/2" NPT
5	1	SILENCER, NUMATICS M3MN 3/8" NPT
6	8	FLOW CONTRDL, NUMATICS 3FCRN 3/8" NPT



DATE: 07/14/04		DO NOT SCALE		FLEXCEL	
DRAWN BY: STAN		<small>UNLESS OTHERWISE SPECIFIED: FRAC DIM X/X ± 1/8 DEC DIM .XX ± .06 DEC DIM .XXX ± .030 ANGLE ° ± 1°</small>		PNEUMATIC SCHEMATIC	
CHECKED:				SCALE: NONE	JOB NUMBER: 14776
ENGINEER:		THIS PRINT SUPERSEDES PRINTS DATED PRIOR TO: 07/14/04		SHEET NUMBER _____ OF _____ SHEETS	
PROJECT: _____ REVISION: 0		KLEENAIR PRODUCTS CO. 14230 S.E. 98TH COURT CLACKAMAS, OREGON 97015			
APPROVED:					

DRAWING NO.